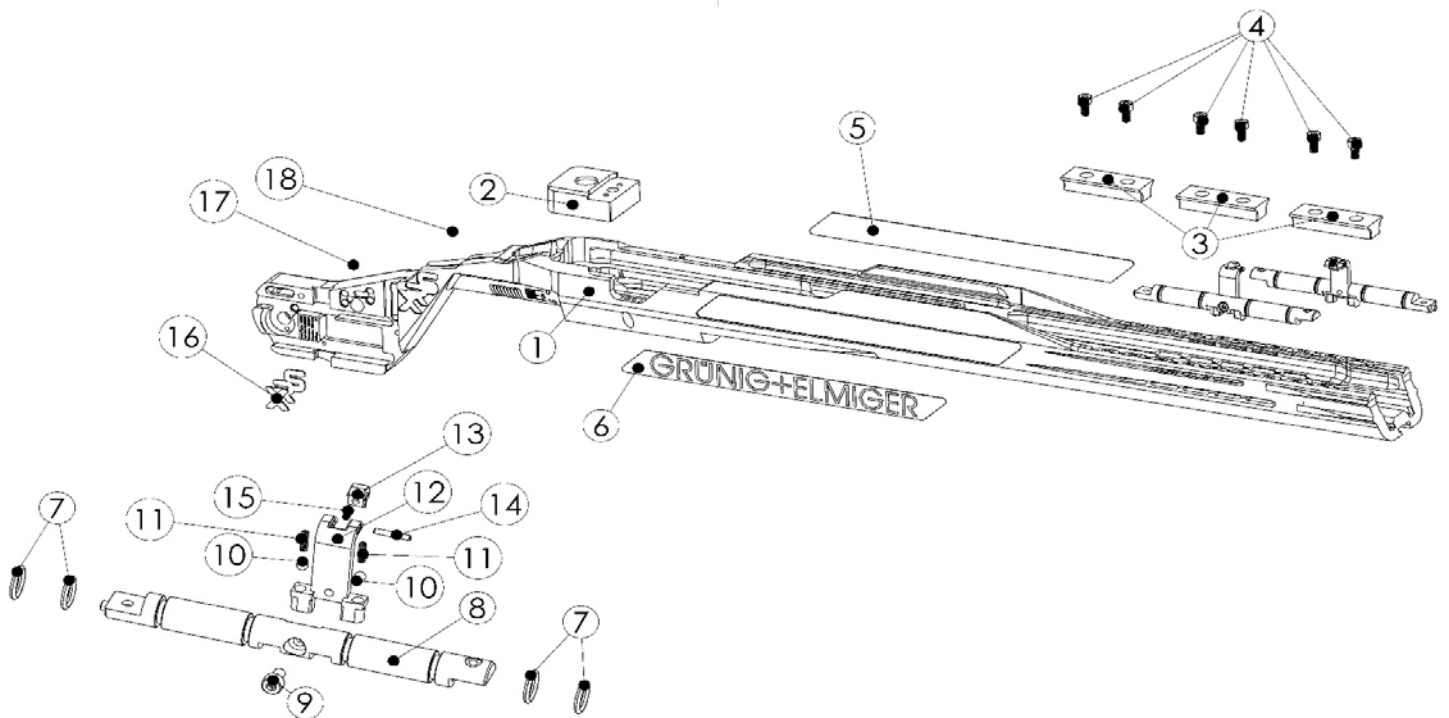


No.:	Name of part	Dimension	Ident. No.	Quantity p. Mod.
------	--------------	-----------	------------	------------------

XRS Aluminium- Stock	1	XRS Alu-Stock right -handed		411-01-001	1
	1	XRS Alu-Stock left -handed		411-01-004	1
	2	Buffer right		411-01-002	1
	2	Buffer left		411-01-003	1
	3	Support		411-05-005	1
	4	Hex socket head cap screw	M4x8	110-01-012	6
	5	Emblem GRÜNIG+ELMIGER left		408-01-037	1
	6	Emblem GRÜNIG+ELMIGER right		408-01-036	1
	7	O-ring	ø7x1.50	411-05-003	4
	8	Weight rod	ø10	411-05-001	1
	9	Hex socket head cap screw	M3x5	605-07-003	1
	10	Ball	ø3	305-14-006	2
	11	Spring	6.3x1.92x0.32	411-05-012	2
	12	Slider		411-05-002	1
	13	Push-button		411-05-008	1
	14	Parallel pin	ø1.5x10	411-05-013	1
15	Spring	0.20x1.80x4.40	411-05-011	2	
16	Emblem XRS		411-01-012	1	



No.:	Name of part	Dimension	Ident. No.	Quantity p. Mod.
------	--------------	-----------	------------	------------------

Electric-Cover	1	Cover		411-01-010	1
	2	Battery case		450-02-064	1
	3	Battery Varta CR2	Ø15.6x27	450-02-065	1
	4	Hex socket head cap screw	M2x4	440-08-034	4
	5	Flat countersunk head socket cap screw	M2.5x6	411-01-011	6

